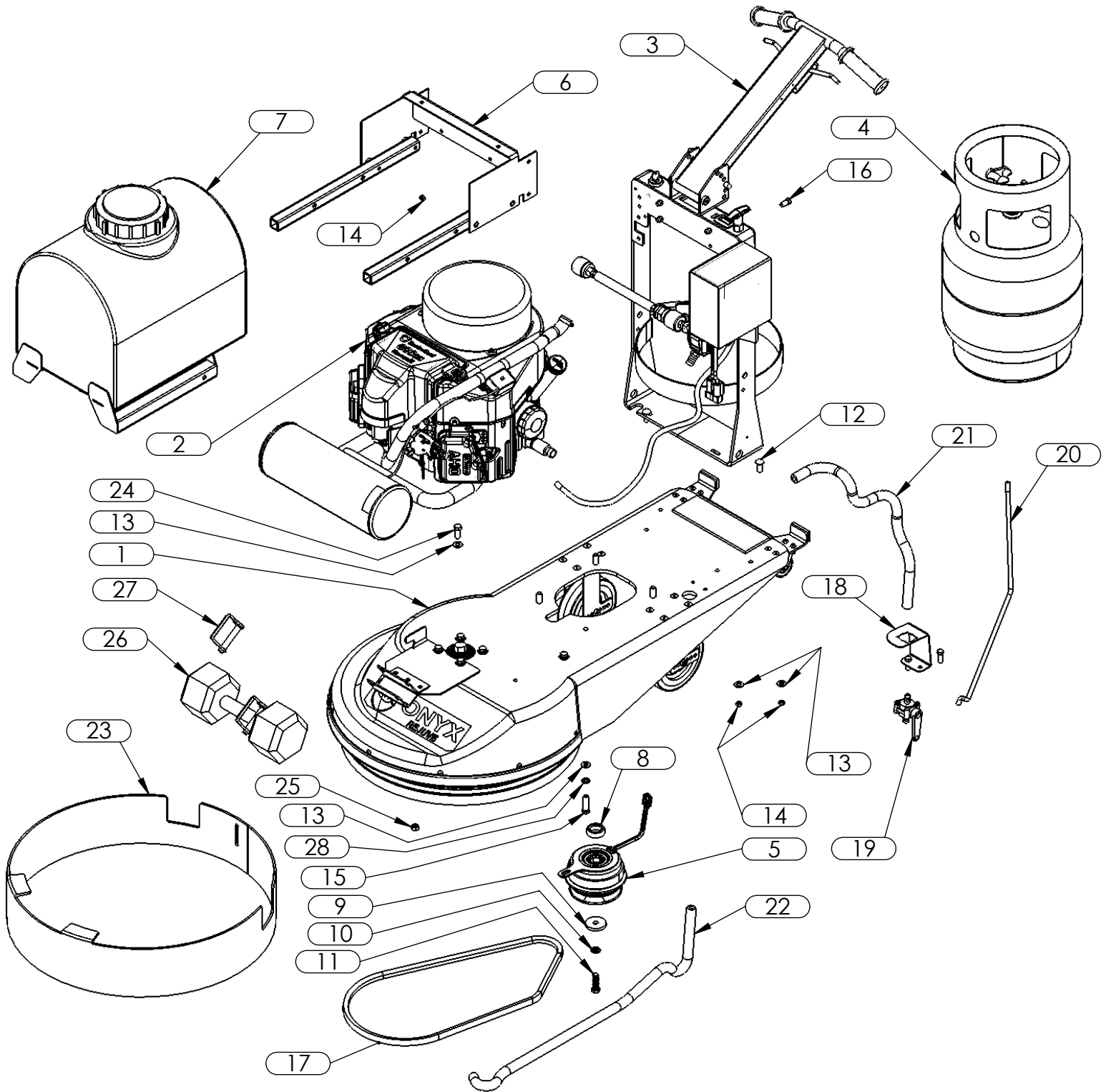


# Rejuve 21" Propane Concrete Polisher with Electric Clutch





## Rejuve 21" Propane Concrete Polisher with Electric Clutch

ITEM NO.	PART NUMBER	DESCRIPTION	QTY.
1	W5021-RJ	21" REJUVE DECK ASM.	1
2	W3102-1B*	KAWASAKI FS60018HP12V ASSY	1
3	W4060A-VO	12V BOTTLE CARRIER ASM. VORTEX	1
4	W2502	PROPANE TNK P#5461TC -20LB.RT	1
5	W1210	ELECTRIC CLUTCH	1
6	W6125-4	TANK SUPPORT BOX WELDMENT	1
7	WST32A	8 GAL. TANK ASM.	1
8	W1224	Clutch Spacer 1-1/2" OD x 1.015" ID x .510" L	1
9	W1220	CLUTCH WASHER	1
10	F33624	LOCKWASHER, HELICAL, 3/8"	1
11	F17159	HCS 7/16-20 X 1.5 Z5	1
12	F21255	CB 5/16-18 X 1	4
13	F33008	USS FLAT WASHER 7/16" ID	12
14	F37021	Nylock 5/16-18 Nut	14
15	F13109	HCS 3/8-16 x 1 1/2	4
16	F13053	HCS 5/16-18 x 3/4 Coarse	8
17	WBX54	V-GROOVE BELT, 5/8" X 54"	1
18	W4285-3	BALL VALVE BRACKET	1
19	W1450	BALL VALVE	1
20	W1455	BALL VALVE LEVER	1
21	W1451	3/8 TUBING	27-1/2"
22	W1451	3/8 TUBING	30"
23	W5122	21" SKIRT (HDPE)	1
24	F13105	HCS 3/8-16 x 1 Coarse	1
25	F37024	Nylock 3/8-16 Nut	1
26	W4292	50LB WEIGHT	1
27	MC98416A019	Locking Pin Wire 3/8 x 2 1/2	2
28	F33622	MSLW 3/8 Washer	4
29	F13055	HCS 5/16-18 x 1	2